

R4 EXECUTIVE SEATING

KUBE



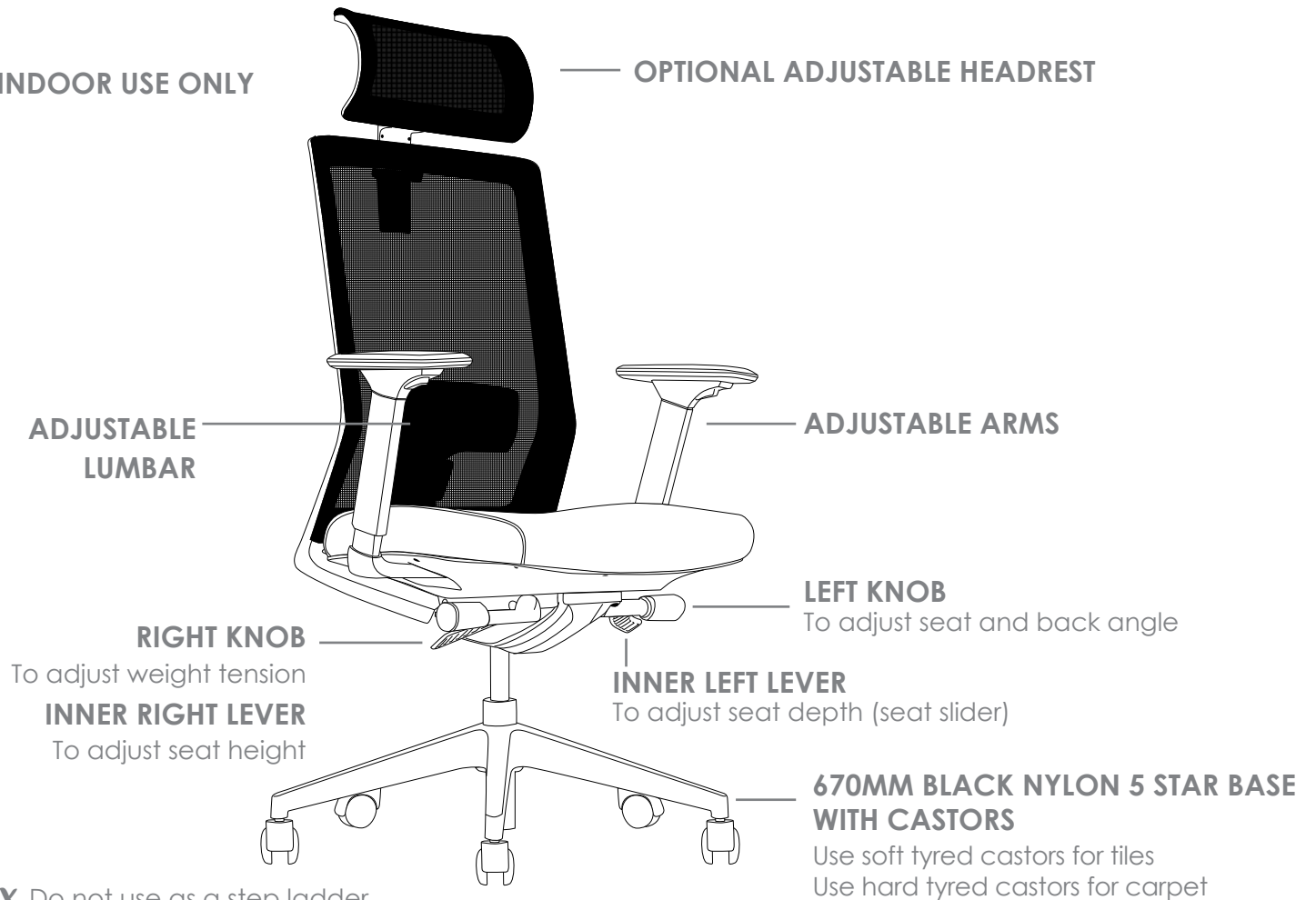
FEATURES

- » Adjustable seat height
- » Adjustable seat and back angle
- » Adjustable seat depth (seat slider)
- » Adjustable weight tension
- » Adjustable lumbar
- » Adjustable arms
- » Optional adjustable headrest
- » Synchron mechanism with 3 locking positions
- » 670mm black nylon 5 star base
- » Available in black only
- » BIFMA tested
- » Minor assembly required
- » Suitable for indoor use only
- » 5 year warranty
- » Weight limit is 130kg

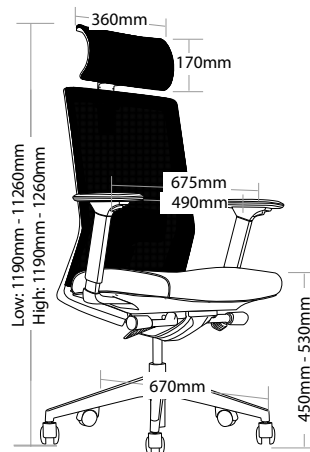
sof
 sydney office furniture
sydneyofficefurniture.com.au

INDOOR USE ONLY

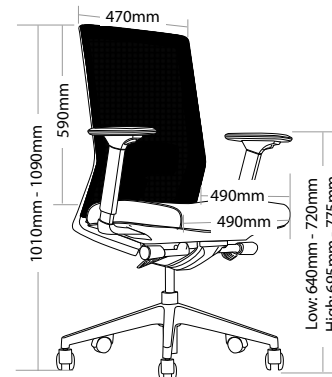
OPTIONAL ADJUSTABLE HEADREST



X Do not use as a step ladder



KUBE-H



KUBE-L

KUBE EXECUTIVE SEATING



KUBE-H



KUBE-L



BACK VIEW